

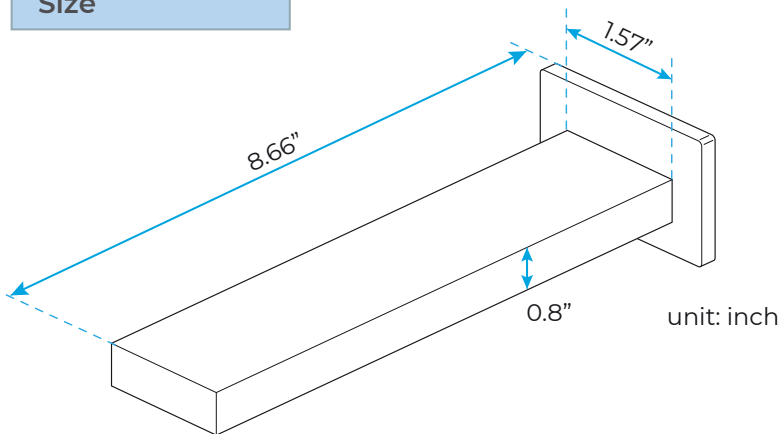
COMMERCIAL WALL MOUNT TOUCHLESS AUTOMATIC SENSOR FAUCET SPECIFICATIONS

Technical Information



Installation Type: Wall Mounted
 Installation Holes: One Hole
 Valve Type: Ceramic Valve
 Suitable water pressure: 0.3-1.2MPa
 Temperature of environment: 1-45 °C (cold & hot water)
 Power: AC/DC
 Dia of inlet/outlet pipe: G1/2"
 Inductive distance: 12-15 cm
 Flow Rate: 1.8 GPM (6.81 L/min)

Size



Overview

